



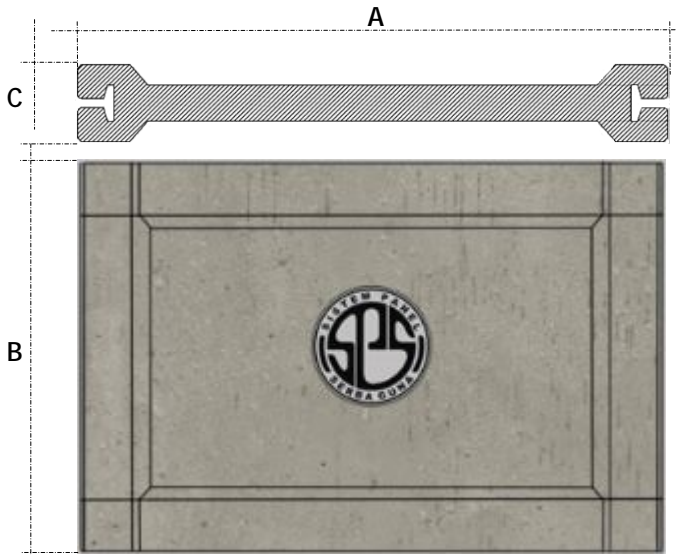
Schema Precast System



English Edition

PRODUCT

SPS Precast Panel Sail



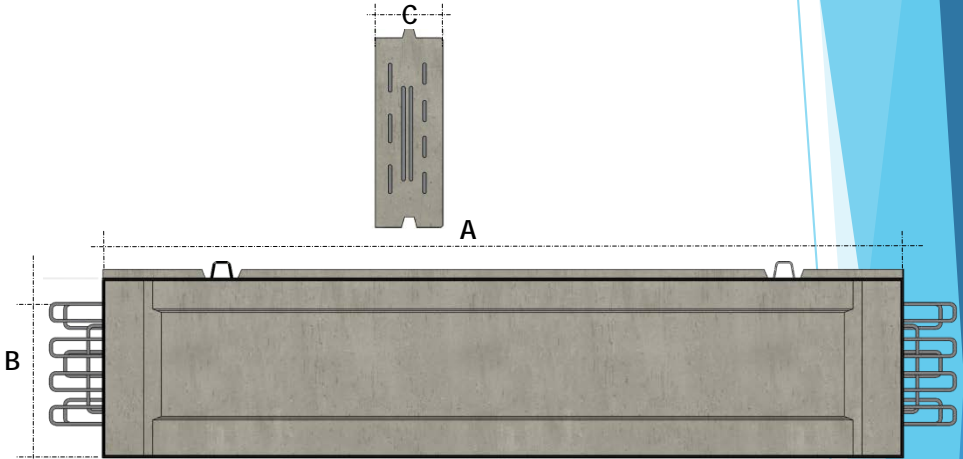
Dimention (cm)				
Type	A	B	C	Concrete Quality
SPS Precast Panel Sail	250	150	30	K-350
	300	150	30	K-350
	400	150	30	K-350

Information :

1. Minimum Concrete Quality K-350
2. Other then type above, adjust the requirement specification
3. Data may change without notice

PRODUCT

SPS Precast Panel Bone



Dimension (cm)

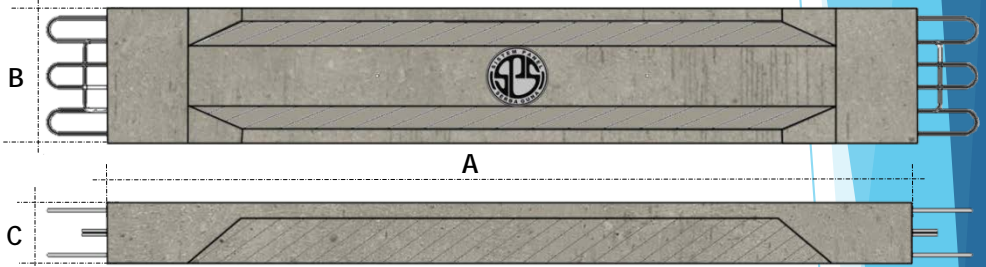
Type	A	B	C	Concrete Quality
SPS Precast Panel Bone	250	100	16	K-350
	350	100	16	K-350
	450	100	35	K-350
	600	100	35	K-350
	600	100	45	K-350

Information :

1. Minimum Concrete Quality K-350
2. Other then type above, adjust the requirement specification
3. Data may change without notice

PRODUCT

SPS Precast Panel Coro



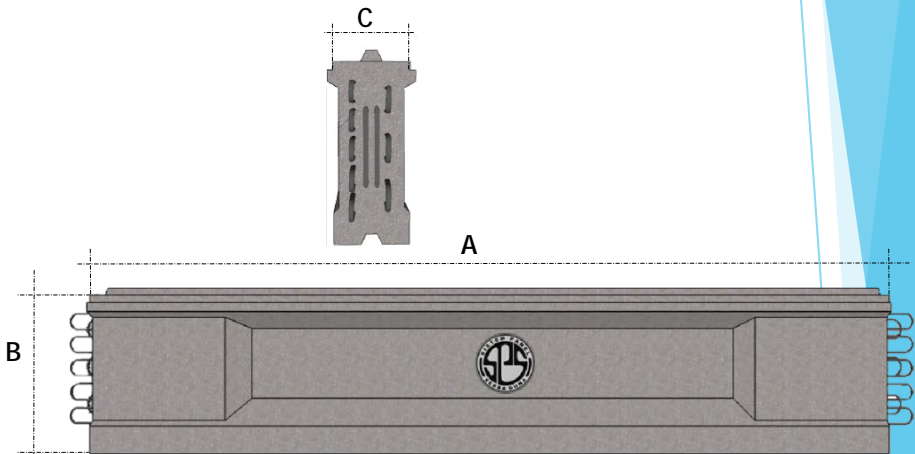
Dimention (cm)				
Type	A	B	C	Concrete Quality
SPS Precast Panel Coro	600	100	35	K-500
	800	100	35	K-500
	800	100	45	K-500
	1000	100	45	K-500
	1000	100	60	K-500
	1200	100	60	K-500

Information :

1. Minimum Concrete Quality K-500
2. Other then type above, adjust the requirement specification
3. Data may change without notice

PRODUCT

SPS Precast Panel Giant



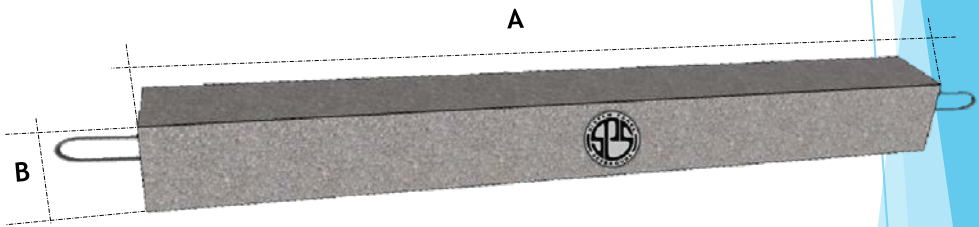
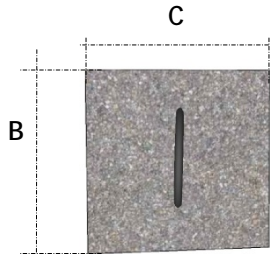
Dimention (cm)				
Type	A	B	C	Concrete Quality
SPS Precast Panel Giant	900	170	80	K-500
	1200	170	80	K-500
	1600	170	80	K-500

Information :

1. Minimum Concrete Quality K-500
2. Other then type above, adjust the requirement specification
3. Data may change without notice

PRODUCT

SPS LB BAR SQUARE



Dimention (cm)				
Type	A	B	C	Concrete Quality
SPS LOAD BEARING BAR SQUARE	BY REQUEST BY REQUEST	30 -	30 -	K-350 K-350

Information :

1. Minimum Concrete Quality K-350
2. Other then type above, adjust the requirement specification
3. Data may change without notice



Product Catalog

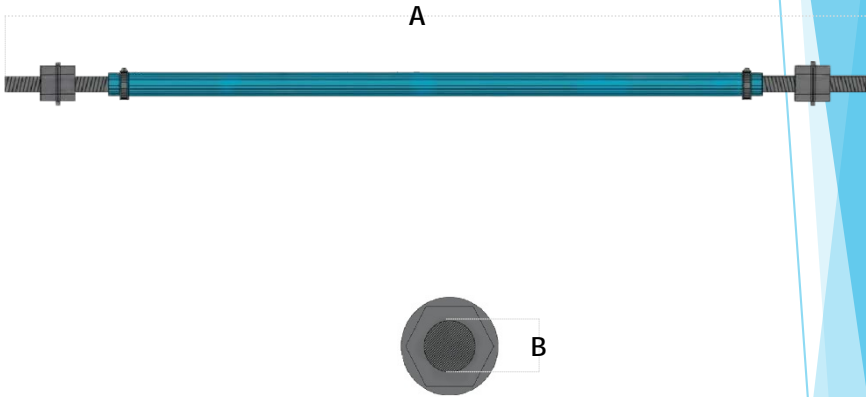
PRODUCT

SPS Steel Interlock

Type	Item
SPS Steel Interlock	Interlock-CNB20100508
	Interlock-CNB2512.50609
	Interlock-CNB301506.509

PRODUCT

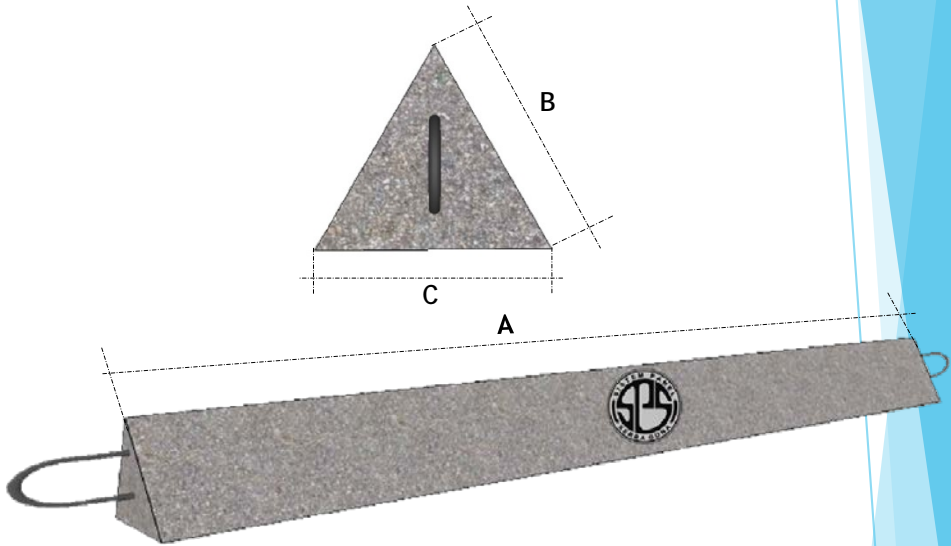
SPS STEEL STRAND SET



Dimention (cm)		
Type	A	B
SPS STEEL STRAND SET	BY REQUEST BY REQUEST	28 -

PRODUCT

SPS SSS TRIANGULAR



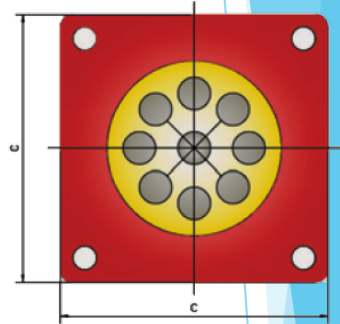
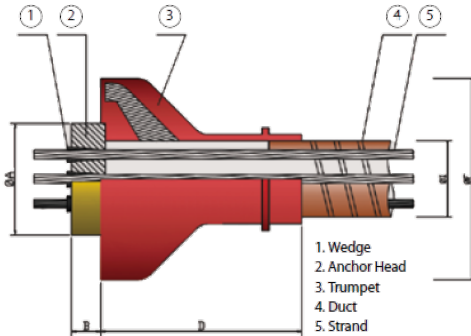
Dimention (cm)				
Type	A	B	C	Concrete Quality
SPS STEEL STRAND SET TRIANGULAR	BY REQUEST BY REQUEST	28 -	28 -	K-350 K-350

Information :

1. Minimum Concrete Quality K-350
2. Other then type above, adjust the requirement specification
3. Data may change without notice

PRODUCT

SPS STEEL STRAND SET



Type	Strand	Anchor Head			Trumpet	
		ØA	B	C	D	ØI
QVM.M13-7	7	115	50	165	130	70
QVM.M13-12	12	156	60	215	180	90
QVM.M13-19	19	186	65	270	220	100
Type	Strand	Anchor Head			Trumpet	
		ØA	B	C	D	ØI
QVM.M15-7	7	126	53	180	155	80
QVM.M15-12	12	166	60	235	210	105
QVM.M15-19	19	206	75	300	275	125



CONTACT

SPS PATENT COORDINATOR

Bayu
Mobile : +62 812 9097 3536
Email : bayucfadhilla@gmail.com

Nara
Mobile : +62 822 3634 5180
Email : adinarakusuma@yahoo.com

Ayip
Mobile : +62 813 1541 4526
Email : ade.ayip.artawijaya@gmail.com

